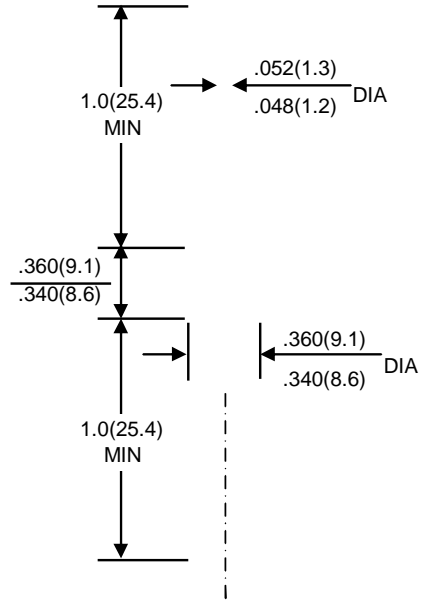


### FEATURES

---

- 
- 
- 
- 
- 
- 



### MECHANICAL DATA

---

- 
- 
- 
- 

### MAXIMUM RATINGS AND ELECTRICAL CHARACTERISTICS

°C

°C										
°C										
°C										
	$\theta$									°C
										°C
										°C
										°C

